




CORPORATE BROCHURE

PRECISION PACKAGING
PERFECT PROTECTION

SCAN ME



For
Product
Catalogue

 Phone:
+91 91063 10985

 Email:
info@omptpl.com

 Website:
www.omptpl.com

Multi Pack



Product Description

- Multi Packing with set of 5 & 10 under a Multi Lock system.

Product Features

- Push Lock
- Easy to take & keep
- Easy Lock allow for easy tool removal
- Excellent protection prevent damage during transit

Application

- Fit for Micro drills
- Taps
- Center drill & many more

Availability

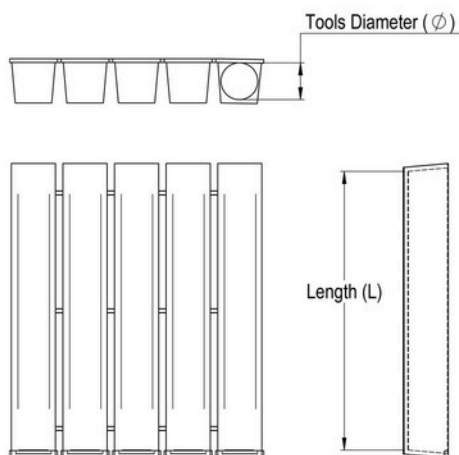
- Please inquire if any special color requirement
- For special color we demand special quantity

Available in

- Polypropylene (PP) Transparent

Packing

- Packing each size in separate cartoon



Color Option



Trans.

Note: For special colour we demand quantity

Available Sizes for _____ Multi Pack

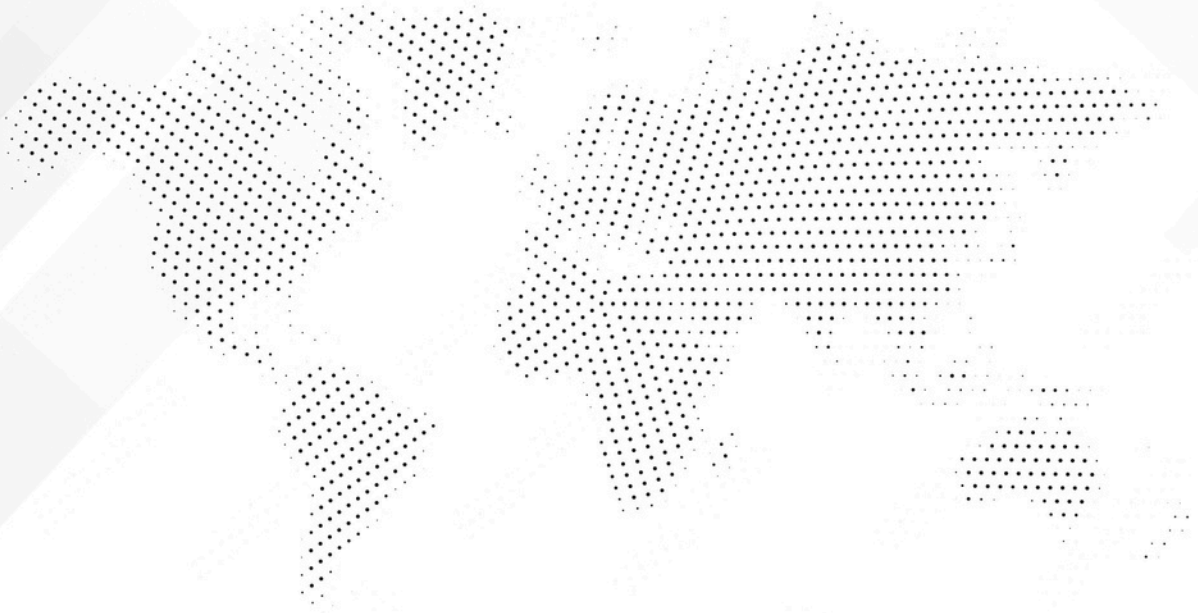


* TBA = To be Arranged

Item Code	(ϕ) Diameter		Length (L)		Box Qty
	(mm)	(inch)	(mm)	(inch)	
MP06045	6	0.236	45	1.771	1200
MP06055	6	0.236	55	2.165	1000
MP06066-05	6	0.236	66	2.598	1200
MP06066-10	6	0.236	66	2.598	640
MP08060	8	0.315	60	2.362	800
MP08075	8	0.315	75	2.952	800
MP10105	10	0.394	105	4.134	320
MP12100	12	0.472	95	3.740	304
MP12125	12	0.472	125	4.921	240
MP16110	16	0.630	110	4.330	136

For more info, Please visit at: www.omptpl.com or email: info@omptpl.com

• SERVING WORLDWIDE •



Phone

+91 91063 10985



Website

www.omptpl.com



Email

info@omptpl.com



Address

Plot no: 8, 9 & 10,
Siddhivinayak Industrial Zone,
Dholra Virva Road,
Village: Virva, Tal: Lodhika,
Dist: Rajkot, Pin: 360311